

DCR™ M4

Entirely New. Completely Redefined.™



reddot award 2017
winner



- Red Dot Design Award Winner
- POS Terminal with Groundbreaking All-in-One Design
- 3" Fast Printer, Card Reader, and Customer Display Integrated.
 - Breakthrough Performance
 - 8" Wide Display with PCAP Touch
- Pre-Installed POS Application for Restaurants
- Supercompact. Small Footprint. Fresh and Modern Look
 - Budget-Friendly Solution



Features & Benefits



Groundbreaking All-in-One Design

- 8" Wide Touchscreen Display
- Printer, Card Reader, Customer Display Integrated



Breakthrough Performance

- Real Time OS & ARM® Cortex® M4 Technology
- Simplified Functions Yet Impressive Performance



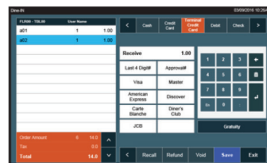
Supercompact Size

- Compact Body for More Counter Space
- Footprint Smaller Than a Piece of Paper



Multiple Peripheral Devices

- Use of Existing or Addition of New Peripherals
- Cash Drawer, Barcode Scanner, PIN Pad, etc.



Pre-installed Software for Restaurants

- Real Out-of-the-Box POS Solution
- Suitable for Table and Quick Service Restaurants



Budget-Friendly POS Solution

- Lean and Simple Structure
- Lowest Initial Cost and Total Cost of Ownership

POSBANK®

Specifications

General Specifications		Model : M4
System		
Processor	ST STM32F429BIT6 Cortex-M4 (256byte Cache, 180MHz)	
Memory	SDRAM 64MB	
Storage	eMMC 4GB (Max. 32GB)	
OS	embOS (RTOS)	
Software	POPs Restaurant™ (Pre-installed)	
Printer	3" Jam Free Thermal, Max.200mm/s, Auto Cutter, Built-in Type	
Display		
Type	8" Wide TFT LCD, LED Backlight	
Resolution	800 x 480	
Brightness	250cd/m ²	
Touchscreen	Projective Capacitive Touch	
Interface		
USB	2 (Rear 2, USB 2.0 x 1, USB 1.1 x 1, USB HOST ONLY)	
Serial	COM 1, COM 2	
LAN	100 Base-T	
Cash Drawer Port	1	
Power DC-IN	1 x (3 Pin Connector)	
Power		
Power Supply	Adaptor 24V, 2A	

Physical & Environmental	
Operating Temperature	0°C ~ 60°C at 10% ~ 90% Humidity
Storage Temperature	-20°C ~ 80°C at 10% ~ 90% Humidity
Dimensions (W x H x D)	216 x 278.9 x 255.3(mm), 8.5 x 10.9 x 10.1(in)
Packing Dimensions (W x H x D)	360 x 345 x 295(mm), 14.2 x 13.6 x 11.6(in)
Net Weight	3,000g
Packing Weight	4,200g
Certification	CE, FCC, KC
Color	Glossy White, Glossy Black

Options & Peripherals	
Customer Display	VFD 20 Columns x 2 Lines, LCD 16 Columns x 2 Lines (Factory Option)
Magnetic Stripe Reader	Comply with ISO 7811, Support 1 & 2 & 3 Track (Factory Option)
Smart Card Reader	EMV Level 1, 2 (Factory Option)
SD Card Reader	Yes
WiFi	SPI Interface for WLAN (Factory Option)

* Specifications may change without prior notice.

* Software development kit available.

Peripheral Options



Customer Display

- VFD & LCD



SCR

- EMV Level 1 & 2



MSR

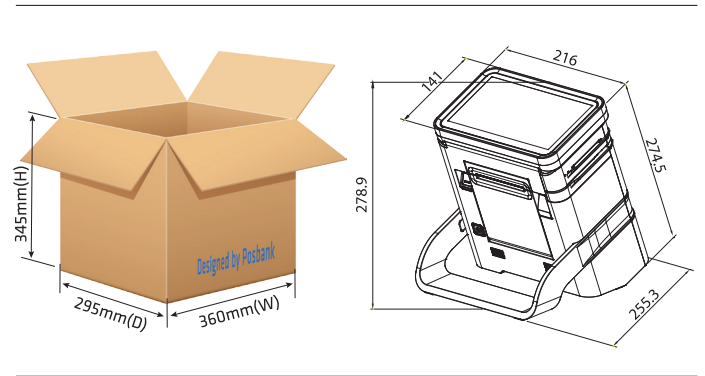
- ISO 7811, Track 1 & 2 & 3



POS Printers

- A7, A11

Dimension View



POSBANK®

Headquarters

#805~808, 108, Gasan digital 2-ro,
Geumcheon-gu, Seoul, 08506, South Korea
Tel : +82-2-2626-9118
Fax : +82-2-2626-9119
e-mail : sales@posbank.com
www.posbank.com

US

California : 1230 East 223rd Street, Suite #204
Carson, CA 90745
New York : 75 Fairchild Ave. Plainview
New York 11803
Tel : +1-888-998-1767 ext. 103~104
Fax : +1-310-513-1362
e-mail : sales@posbankusa.com
www.posbankusa.com

Europe

Via Piersanti Mattarella, 32, 30030, Gardigiano,
Venezia, Italy
Tel : +39-041-583-0594
Fax : +39-041-583-0595
e-mail : sales@posbank.eu
www.posbank.eu

Copyright © 2017 Posbank Co.,Ltd.

Posbank and the Posbank logo are trademarks of Posbank in the United States and other countries. All trademarks are the property of their respective owners. Intel, Celeron, Core are registered trademarks of Intel Corporation in the U.S. and other countries. Microsoft, Windows 7, Windows 8.1, Windows 10 IoT Enterprise and POS Ready 7 are registered trademarks of Microsoft Corporation in the U.S. and other countries. Posbank shall not be liable for technical or editorial errors or omission contained herein. The information in this publication are informational purposes only and may be altered or amended by Posbank. All statements regarding Posbank's direction and intent are subject to change or withdraw without notice. Specifications may change without prior notice.